

LEBENSSTIL

KOLLEKTION

Cooker Hood
Instruction Manual

LKCHI-9303

www.lebensstilkollektion.com

Thank you for choosing **Lebensstil Kollektion** appliance. This instruction manual is designed to help you through each step of owning your new appliance, from installation to use and maintain it.

Please read it carefully before you start using your product.

If, however, you should find something missing, or not covered, please contact the Customer Care Centre immediately. Their number is located on the back page of this book.

Alternatively, general information, is also available from our website.

The address is located on the back page of this book.

Notes:

- Your appliance may not feature some of the functions specified in this instruction manual.
- The product images are schematic, therefore, it may not represent the actual look of the appliance.
- This appliance has been produced in modern environment-friendly facilities without adversely affecting nature.
- Products, Parts and Accessories marked with * are optional.

--- Please read this handbook carefully and keep it for future reference ---

■ Content

- Electrical Safety Warnings & Electrical Connection 1
- Introduction Connection 2
- Technical Specification 3
- Ventilation modes 4
- Installation 5 - 6
- Touch Control Panel 7
- Cleaning and Maintenance 8
- Troubleshooting 9

■ **Electrical Safety Warnings**

- DO NOT handle the electricity connection points and plug with wet hands at all time.
- The appliance must be earthed.
- The power supply card shall not be in contact with any parts of the appliance that produce heat.
- If the power supply cord is damaged. Stop using the appliance and replace the cord by an authorized service agent to prevent a hazardous situation.
- NEVER wash the appliance by spraying or pouring water on it. There is a risk of electrocution.
- WARNING: Cut off all electrical supply connections before accessing the terminals or changing the light bulb.
- Unplug the appliance during installation, maintenance, cleaning and repair.
- Ensure the power plug is fully inserted into the wall socket or power point to avoid sparks.

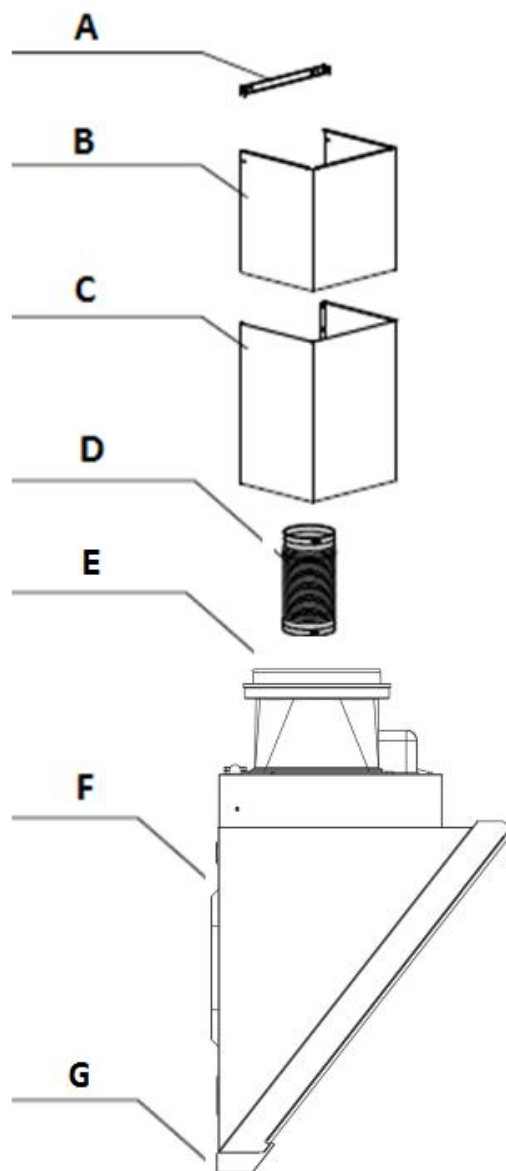
■ **Electrical Connection**

This appliance must be installed and connected to its place correctly according to the manufacturer's instruction. The company will not be held responsible for damages resulting from connection of non-earthed sockets to the appliance.

This cooker has been manufactured as 220V/50Hz. AC power supply compliant and requires a 13 Amp fuse. If your power connection is different than the indicated values, please refer to the Customer Care Centre or the authorized service agent.

■ **Introduction Connection**

- A. Chimney Mounting Bracket
- B. Upper Chimney Cover
- C. Lower Chimney Cover
- D. Flexible Ducting Host
- E. Flow Exit
- F. Main Body
- G. Oil Filter



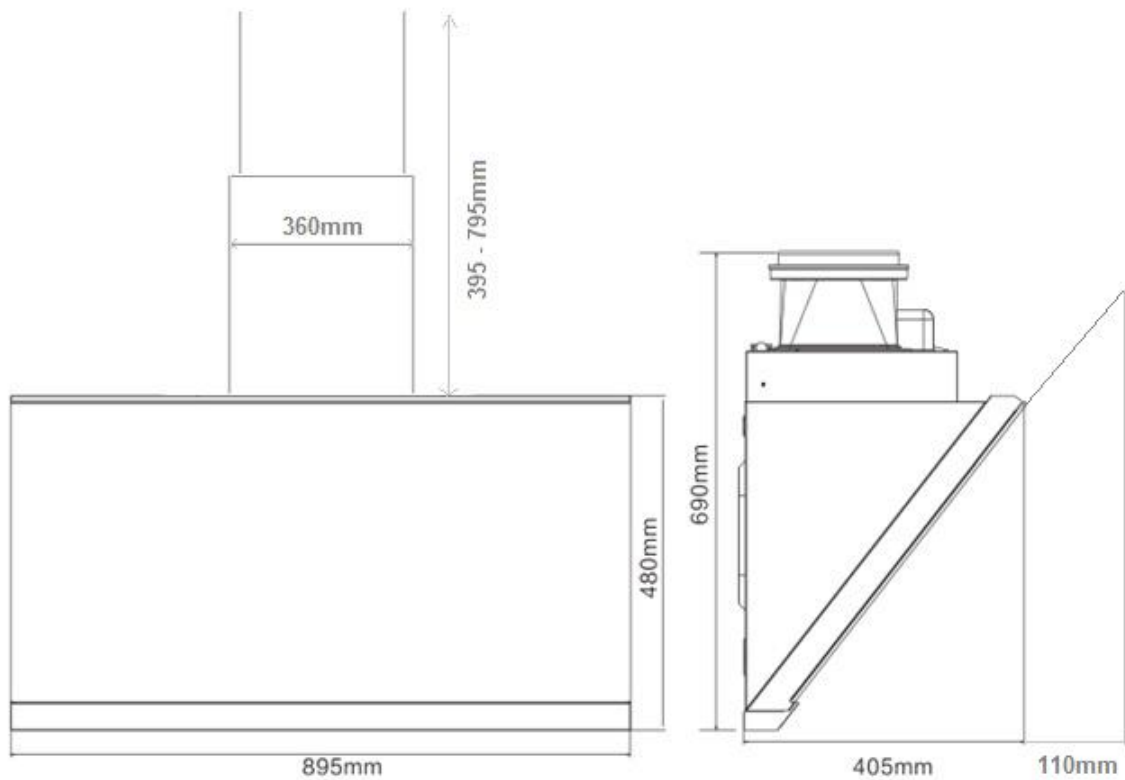
■ Technical Specification

Input Power : 233 Watt

Supply Voltage : 220v / 50Hz

LEP Lamp : 3 Watts

Product Size : 895 * 405 * 690 - 1275 (mm)



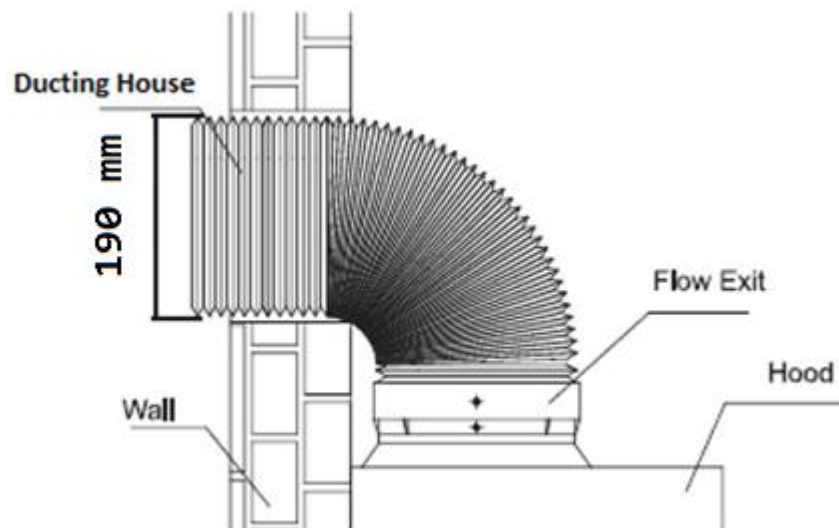
■ Ventilation modes

● **Ducted Mode (Vented Mode)**

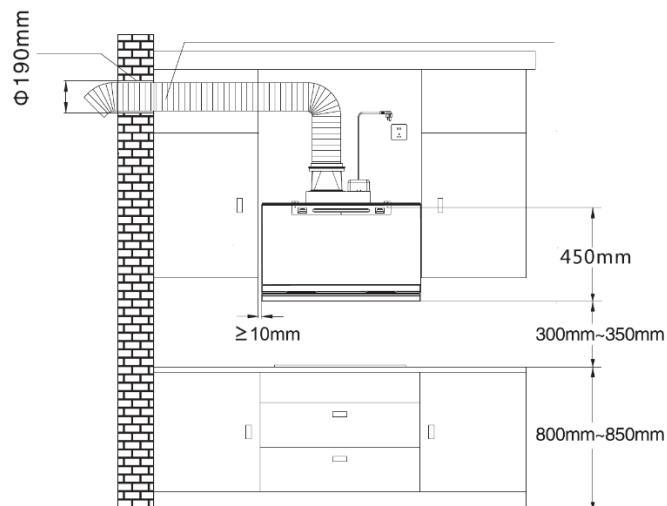
In the ducted mode, air is drawn into the hood, fat are trapped by oil filters. Odors, fumes and condensation are then expelled to the outside. In this mode, only the oil filters are installed.

When installing the ducted mode, connect the hood to the chimney using either a flexible or rigid hose with \varnothing 190 mm.

Fix the hose in position using sufficient hose clamps (not supplied).



■ Installation



**Minimum height from hob surface: 300mm (Electric Hob) & 350mm (Gas Hob)*

** If installation without chimney cover, at least 3cm gap between ceiling and hood*

● **Wall Mounting**

1. Determine height between cooker hob and base of hood.
2. Mark all to suit all bracket locations. Drill holes of 50mm depth at the selected drilling position.
3. Insert the expansion tubes to fix the bracket onto the wall.
4. Install the flow exit to the hood and follow by connecting the flexible exhaust duct to the flow exit.
5. Strengthened the connection between the flow exit and the flexible duct hose with screws.
6. Lift and hang the hood to the wall bracket and please ensure it sits firmly on the bracket.
7. Direct the other end of the flexible exhaust duct to the outlet or wall.
8. Fit in the safety baffle of the hood onto the wall to strengthen the position and to reduce vibration when the hood is switched on.
9. Chimney extension can be installed to the ceiling or wall.
10. Ensure the oil collection container is in place before the hood is being used. To remove it for cleaning, slide the oil collection container from front to rear, vice versa for inserting it into position.

- **Chimney assembly**

- Upper chimney

1. Slightly widen the two sides of the upper chimney and hood them behind the mounting brackets, ensuring that they are well seated.
2. Secure the sides of the brackets using screws.

- Lower Chimney

- Slightly widen the two sides of the chimney and hook them between the upper chimney and the wall, ensuring that they are well seated.
- Fix the lower parts laterally to the hood body using screws

■ Touch Control Panel



Light



Up/Down



ON/OFF

ON/OFF: To switch on the appliance. Touch the ON/OFF with your finger tip. Touch twice On/Off button to switch off the appliance. ** All lights will go off after that.*

Up/Down: To adjust the fan speed by slide to the right to increase or left to reduce the level with your finger tip.

Light: Touch to switch on/off the LED lighting and Clock.

Delay timer: Touch once ON/OFF button, to activate a duration of 3 minutes delay timers.

**This delay timer is only works if the cooker hood is at ON condition.*

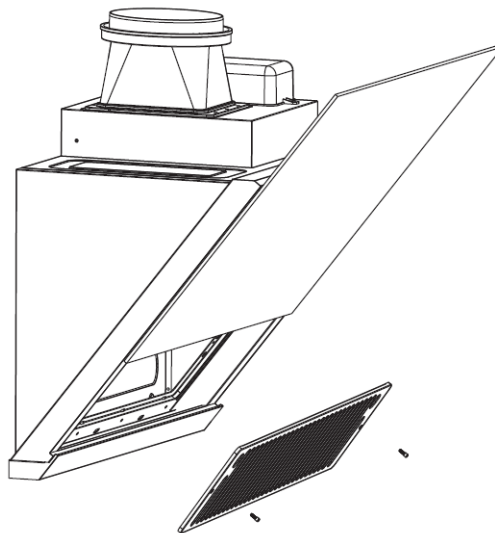
Clock Setting:

- a) Hour – touch ON/OFF and hold 3 seconds,
- b) Minute – touch ON/OFF again after done hour setting

Please use the UP/DOWN to adjust the increase/decrease the numbering.

■ Cleaning and Maintenance

- It is important to clean the product regularly as a build-up of grease can affect its performance or damage it and may invalidate your warranty.
- Do not use undiluted bleaches, products containing chlorides, wire wool or abrasive cleaners on aluminium, stainless steel, or plastic/painted parts as they can damage the appliance.
- Always switch off your appliance and unplug the power plug.
- Always wipe the surface of the glass panel with clean cloth.
- Regularly removed oil contamination in oil cup and clean the oil cup.
- How to remove the mesh filter:
 - Remove the 2 fixing screw at the right and left of mesh filter,
 - Grasp the top of the mesh filter by hand,
 - Loosen the lock at both end of the top mesh filter,
 - And remove the mesh filter from the unit.



WARNING: *Cleaning of product's parts (for e.g. Impeller, Motor..Etc.) should handle by professional.*

Troubleshooting

Symptoms	Possible Cause	Solution
Motor and light do not operate	Power plug is not inserted completely	Check the plug and insert it properly
	The light bulbs are blown	Replace the bulbs
	The wire and / or cable is disconnected	Contact us
	The light's transformer is damaged	Contact Us
Motor cannot operate but the lights are working	The impeller has stopped	Contact Us
	The capacitor is disconnected and/or damaged	Contact Us
	The motor is damaged	Contact Us
The range hood vibrates or shakes while in operation	The Cooker hood is not installed levelly or the wall which it is installed upon is not solid	Relocation of the cooker hood or strengthening the wall is required
	The motor is not properly installed	Contact Us
	The damaged impeller is affecting the levelness of the range hood	Contact Us
Only one or two buttons can function while others are not working	The control panel is not functioning properly	Contact Us
	Connection with the control board is loose	Contact Us
Weak / Low Extraction Performance	The range hood is installed too high from the cooking hob	Re-install the cooker hood to a lower position
	There are blockages in the ducting hose	Remove the dirt/blockages inside the duct
	Air convection is too strong around the appliance	Avoid opening too many windows or doors to improve the extraction performance
Oil leakage	The cooker hood is not installed levelly	Re-install the hood to a much level position

Customer Careline
1800-881-770

Distributed by,
Kollektion Distribution Sdn. Bhd.
11B, Jalan 223, Section 51A,
46100 Petaling Jaya Selangor,
Malaysia.