

# LEBENSSTIL

KOLLEKTION

Cooker Hood  
Instruction Manual

LKCHI-9120

[www.lebensstilkollektion.com](http://www.lebensstilkollektion.com)

Thank you for choosing **Lebensstil Kollektion** appliance. This instruction manual is designed to help you through each step of owning your new appliance, from installation to use and maintain it.

Please read it carefully before you start using your product.

If, however, you should find something missing, or not covered, please contact the Customer Care Centre immediately. Their number is located on the back page of this book.

Alternatively, general information, is also available from our website.

The address is located on the back page of this book.

Notes:

- Your appliance may not feature some of the functions specified in this instruction manual.
- The product images are schematic, therefore, it may not represent the actual look of the appliance.
- This appliance has been produced in modern environment-friendly facilities without adversely affecting nature.
- Products, Parts and Accessories marked with \* are optional.

*--- Please read this handbook carefully and keep it for future reference ---*

## ■ Content

- Electrical Safety Warnings 1
- Electrical Connection 1
- Introduction Connection 2
- Technical Specification 3
- Ventilation modes 4
- Installation 5 - 6
- Touch Control Panel 7
- Troubleshooting 8

## ■ **Electrical Safety Warnings**

- DO NOT handle the electricity connection points and plug with wet hands at all time.
- The appliance must be earthed.
- The power supply card shall not be in contact with any parts of the appliance that produce heat.
- If the power supply cord is damaged. Stop using the appliance and replace the cord by an authorized service agent to prevent a hazardous situation.
- NEVER wash the appliance by spraying or pouring water on it. There is a risk of electrocution.
- WARNING: Cut off all electrical supply connections before accessing the terminals or changing the light bulb.
- Unplug the appliance during installation, maintenance, cleaning and repair.
- Ensure the power plug is fully inserted into the wall socket or power point to avoid sparks.

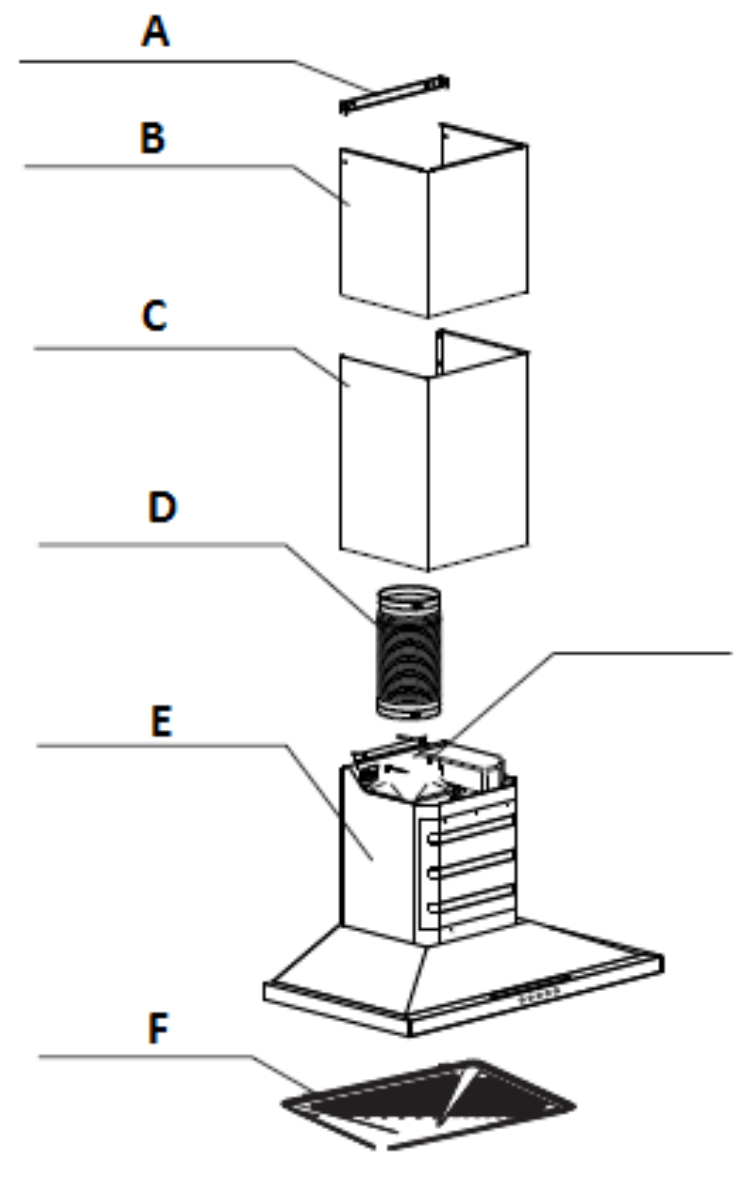
## ■ **Electrical Connection**

This appliance must be installed and connected to its place correctly according to the manufacturer's instruction. The company will not be held responsible for damages resulting from connection of non-earthed sockets to the appliance.

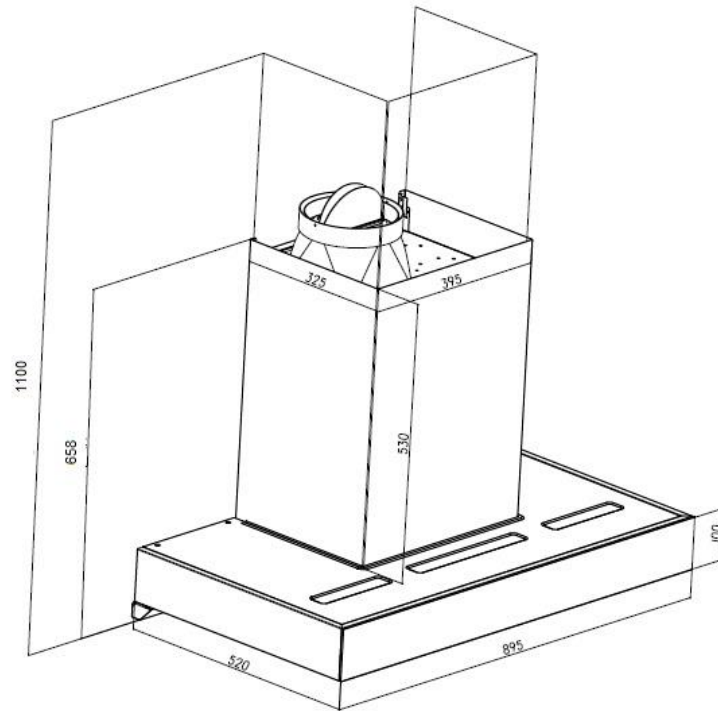
This cooker has been manufactured as 220 – 240V 50/60Hz. AC power supply compliant and requires a 13 Amp fuse. If your power connection is different than the indicated values, please refer to the Customer Care Centre or the authorized service agent.

■ **Introduction Connection**

- A. Chimney Mounting Bracket
- B. Upper Chimney Cover
- C. Lower Chimney Cover
- D. Flexible Ducting Host
- E. Main Body
- F. Oil Filter



## ■ Technical Specification



<b>Input Power</b>	<b>: 154 Watt</b>
<b>Supply Voltage</b>	<b>: 220 – 240 v 50-60 Hz</b>
<b>LEP Lamp</b>	<b>: 4 Watt * 1</b>
<b>Fan Speed</b>	<b>: 9 speeds</b>

## ■ Ventilation modes

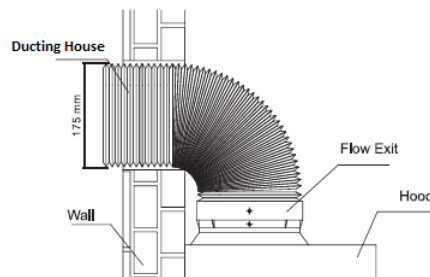
You can choose to install the hood as a ducted or recirculation mode.

### ● **Ducted Mode (Vented Mode)**

In the ducted mode, air is drawn into the hood, fat are trapped by oil filters. Odors, fumes and condensation are then expelled to the outside. In this mode, only the oil filters are installed.

When installing the ducted mode, connect the hood to the chimney using either a flexible or rigid hose with  $\varnothing$  180 mm.

Fix the hose in position using sufficient hose clamps (not supplied).



### ● **Recirculated**

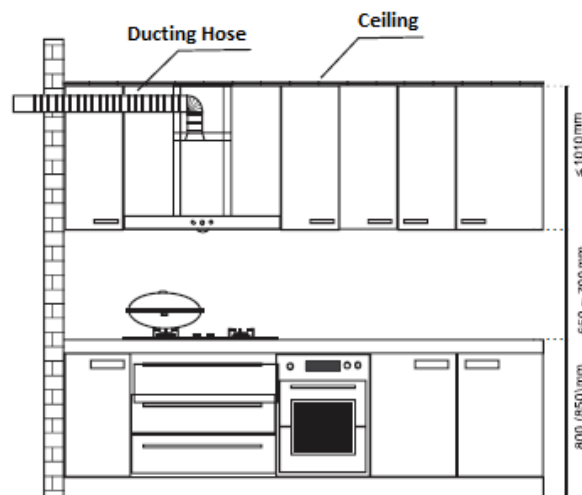
Optionally, you can use an optional charcoal filter to fit into the cooker hood and recirculate the filtered air back into the cooking area.

Kindly make sure the exhaust holes of the upper chimney are not block.

The charcoal filter has to be replaced every 6 months or more frequent if heavy cooking activities are being performed regularly.

Otherwise, it may reduce the extraction performance of the cooker hood while possibly increase the noise and vibration of the appliance.

## ■ Installation



### ● **Wall Mounting**

1. Determine height between cooker hob and base of hood.
2. Mark all to suit all bracket locations. Drill holes of 50mm depth at the selected drilling position.
3. Insert the expansion tubes to fix the bracket onto the wall.
4. Install the flow exit to the hood and follow by connecting the flexible exhaust duct to the flow exit.
5. Strengthened the connection between the flow exit and the flexible duct hose with screws.
6. Lift and hang the hood to the wall bracket and please ensure it sits firmly on the bracket.
7. Direct the other end of the flexible exhaust duct to the outlet or wall.
8. Fit in the safety baffle of the hood onto the wall to strengthen the position and to reduce vibration when the hood is switched on.
9. Chimney extension can be installed to the ceiling or wall. 10. Ensure the oil collection container is in place before the hood is being used. To remove it for cleaning, slide the oil collection container from front to rear, vice versa for inserting it into position.



- **Chimney assembly**

Upper chimney

1. Slightly widen the two sides of the upper chimney and hood them behind the mounting brackets, ensuring that they are well seated.
2. Secure the sides of the brackets using screws.

Lower Chimney

1. Slightly widen the two sides of the chimney and hook them between the upper chimney and the wall, ensuring that they are well seated.
2. Fix the lower parts laterally to the hood body using screws

## ■ Touch Control Panel



Light



Up/Down



ON/OFF

ON/OFF: To switch on the appliance. Touch the ON/OFF with your finger tip. Touch twice On/Off button to switch off the appliance. *\* All lights will go off after that.*

Up/Down: To adjust the fan speed by slide to the right to increase or left to reduce the level with your finger tip.

Light: Touch to switch on/off the LED lighting and Clock.

Delay timer: Touch once ON/OFF button, to activate a duration of 3 minutes delay timers.

*\*This delay timer is only works if the cooker hood is at ÖN condition.*

Clock Setting:

- a) Hour – touch ON/OFF and hold 3 seconds,
- b) Minute – touch ON/OFF again after done hour setting

Please use the UP/DOWN to adjust the increase/decrease the numbering.

## ■ Troubleshooting

Symptoms	Possible Cause	Solution
Motor and light do not operate	Power plug is not inserted completely	Check the plug and insert it properly
	The light bulbs are blown	Replace the bulbs
	The wire and / or cable is disconnected	Contact us
	The light's transformer is damaged	Contact Us
Motor cannot operate but the lights are working	The impeller has stopped	Contact Us
	The capacitor is disconnected and/or damaged	Contact Us
	The motor is damaged	Contact Us
The range hood vibrates or shakes while in operation	The Cooker hood is not installed levelly or the wall which it is installed upon is not solid	Relocation of the cooker hood or strengthening the wall is required
	The motor is not properly installed	Contact Us
	The damaged impeller is affecting the levelness of the range hood	Contact Us
Only one or two buttons can function while others are not working	The control panel is not functioning properly	Contact Us
	Connection with the control board is loose	Contact Us
Weak / Low Extraction Performance	The range hood is installed too high from the cooking hob	Re-install the cooker hood to a lower position
	There are blockages in the ducting hose	Remove the dirt/blockages inside the duct
	Air convection is too strong around the appliance	Avoid opening too many windows or doors to improve the extraction performance
Oil leakage	The cooker hood is not installed levelly	Re-install the hood to a much level position

Customer Careline  
1800-881-770

Distributed by  
Kollektion Distribution Sdn. Bhd.  
11b, Jalan 223, Section 51A  
46100 Petaling Jaya Selangor,  
Malaysia