

LEBENSSTIL

KOLLEKTION

Instruction Manual

Island Hood

Model: LKCH-9802BGS



Before operating this unit, please read these instructions completely.

CONTENT

INTRODUCTION..... 3
SAFETY PRECAUTION..... 3-4
ISLAND MODEL INSTALLATION..... 5-7
FITTING CARBON FILTER..... 8
OPERATION..... 9
MAINTENANCE..... 10
TROUBLESHOOTING..... 11
ENVIRONMENTAL PROTECTION..... 11

INTRODUCTION

Thank you for choosing Lebensstil Kollektion Island Hood.

This instruction manual is designed to provide you with all required instructions related to the installation, use and maintenance of the appliance.

In order to operate the unit correctly and safely, please read this instruction manual carefully before installation and usage.

The cooker hood uses high quality materials and is made with a streamlined design. Equipped with large power electric motor and centrifugal fan, it also provides strong suction power, low noise operation, non-stick grease filter and easy assembly and installation.

SAFETY PRECAUTION

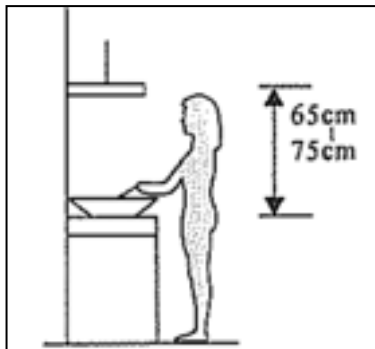
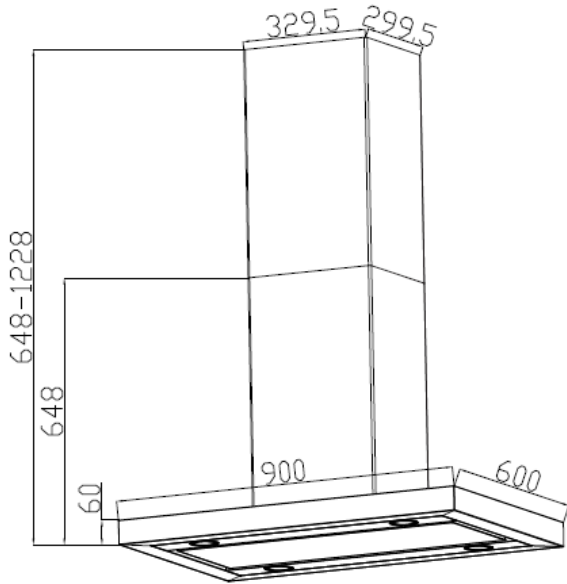
- Never let children operate the machine.
- The cooker hood is for home use only, not suitable for barbecue, roast shop and other commercial purpose.
- The cooker hood and its filter should be cleaned regularly in order to keep them in good working condition.
- Clean the cooker hood according to the instruction manual and keep the unit from danger of burning. There is a fire risk if cleaning is not carried out in accordance with the instructions.
- Avoid direct heat from the gas cooker.
- Please keep the kitchen well-ventilated. There shall be adequate ventilation of the room when the range hood is used at the same time as appliances with burning gas or other fuels.
- If the supply cord is damaged, it must be replaced by the manufacturer, its service agent or similarly qualified persons in order to avoid a hazard.
- The air must not be discharged into a flue that is used for exhausting fumes from appliances with burning gas or other fuels.
- Regulations concerning the discharge of air have to be fulfilled.

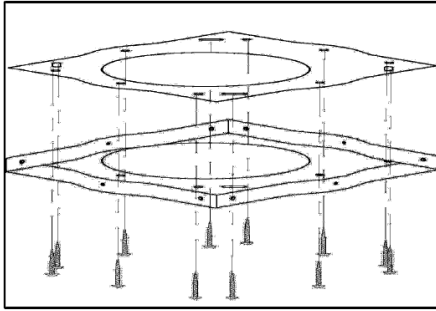
- This appliance can be used by children aged from 8 years and above and persons with reduced physical, sensory or mental capabilities or lack of experience and knowledge if they have been given supervision or instruction concerning use of the appliance in a safe way and understand the hazards involved.
- Children should be supervised to ensure that they do not play with the appliance.
- Cleaning and user maintenance shall not be made by children without supervision.
- Avoid exposed flames under the range hood.
- **CAUTION:** Accessible parts may become hot when used with cooking appliance.
- The warning shall be in the same part of the instructions that include details of how to mount the equipment.

Electrical Shock Hazard

- Only plug this unit into a properly earthed outlet. If in doubt, seek advice from a suitably qualified engineer.
- Failure to follow these instructions can result in death, fire, or electrical shock.

ISLAND MODEL INSTALLATION



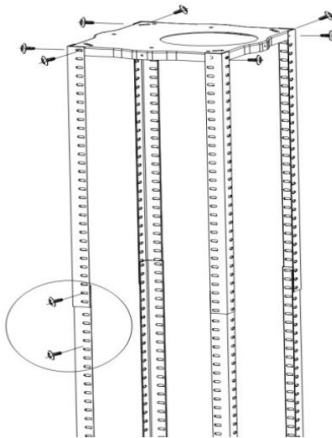


1) Position the hanging plate on the ceiling and mark the position of the screw holes. The hanging plate should be securely fixed to the ceiling.

- 11 x ST6 (40mm) screws for wooden ceiling
- 8 x expansion bolts for cement ceiling

2) Fix the angle bars to the hanging plate, using the 8 x M5 screws.

3) Extend the angle bars to the required height and then fix them in position using the 16 x M5 screws and nuts with metal washers.

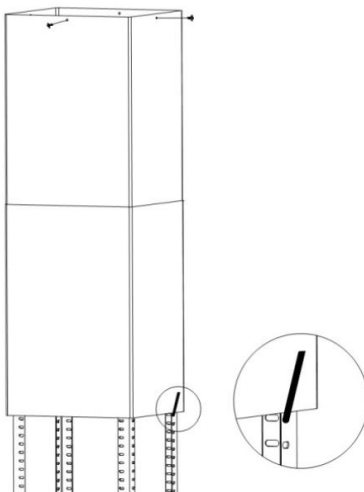


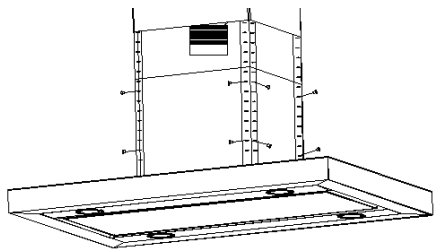
● **IMPORTANT: The angle bars must have an overlap of AT LEAST 100mm.**

4) If your cooker hood is going to be used in extraction mode, then you should connect the ducting hose to the ceiling adapter at this point.

Fix the upper chimney section to the hanging plate, using the 4 x self tapping screws.

Slide the lower chimney section onto the angle bars and raise it until it sits just below the upper chimney section.

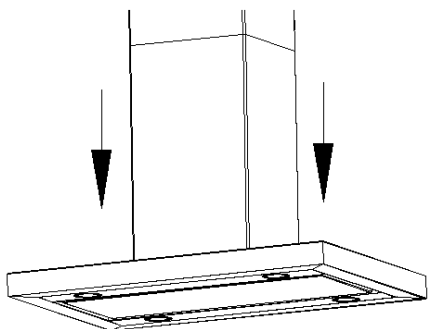




5) If the glass canopy has not been pre-assembled by the factory, it should be fixed to the top of the main body of the cooker hood at this stage.

6) Lift the main body of the cooker hood towards the angle bar and fix it into position using the 16 x M5 screws.

- **IMPORTANT: This stage of the installation process MUST be completed by two people.**
- **IMPORTANT: The 16 x M5 screws MUST be securely tightened.**



7) If you are going to be using the hood in extraction mode, you should fix the ducting hose to the ceiling.

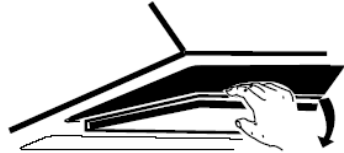
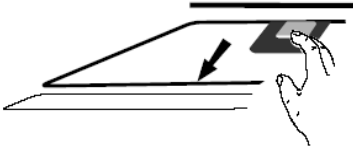
- The electrical connection must correspond to the electrical requirement noted on the rating plate, which is placed inside the cooker hood. The appliance should now be connected to the electrical supply.
- Check that the appliance is operating correctly by selecting each speed and switching the light bulbs on and off.
- Remove the hanging hook and then slide the lower chimney section downward until it rests against the main body of the cooker hood.
- Use a stainless steel cleaner and polish the stainless steel sections of the appliance.
- If you are using the appliance in recirculation mode, you should now fit the carbon filter. See the "fitting the carbon filter" section.

FITTING CARBON FILTER

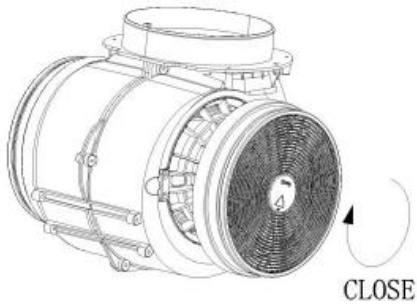
If you do not have an outlet to the outside, exhaust pipe is not required.

Activated carbon filter can be used to trap odors.

In order to install the activated carbon filter, the grease filter should be detached first. Press the lock and pull it downward.



Plug the activated carbon filter into the unit and turn it in clockwise direction. Repeat the same on the other side.




OPERATION

Invisible Touch Control



STANDBY MODE

After plugging in,  will flash slowly to indicate system is in **STANDBY MODE**.



On/Off button

Used for turning off the fan. When plugged into power supply, press this button for 3 seconds and all buttons will illuminate with all functions ready.



Low Speed button

Used for ventilation in the kitchen. Suitable for simmering and cooking that does not produce much steam.



Medium Speed button

Airflow speed is ideal for ventilation in standard cooking operation.



High Speed button

When high density of smoke or steam is produced, press high-speed button for most effective ventilation.



Light button

MAINTENANCE

Before cleaning switch the unit off and pull out the plug.

I. Regular Cleaning

Use a soft cloth moistened with warm and mildly soapy water or household cleaning detergent. Never use metal pads, chemical, abrasive material or stiff brush to clean the unit.

II. Monthly Cleaning for Grease Filter

IMPORTANT: Clean the filter every month to prevent any risk of fire.

The filter collects grease, smoke and dust, and directly affects the efficiency of the cooker hood. If not cleaned, the grease residue (potentially flammable) will saturate on the filter. Clean it with household cleaning detergent.

III. Annual Cleaning for Activated Carbon Filter

Applies SOLELY to unit installed as a recirculation unit (not vented to the outside). The filter traps odors and must be replaced at least once a year depending on how frequent the cooker hood is used.

IV. Bulb Replacement

1. Switch the unit off and unplug the appliance.
 2. Remove the lamp cover by unscrewing the 2 screws.
 3. Unscrew the incandescent bulb.
 4. Replace with the same type and rated bulb/lamp.
- Halogen lamp (max 20W) and LED lamp (max 1.5W).

TROUBLESHOOTING

Fault	Cause	Solution
Light on, but fan does not work	The fan blade is jammed.	Switch off the unit and repair by qualified service personnel only.
	The motor is damaged.	
Both light and fan do not work	Light bulb burned.	Replace the bulb with correct rating.
	Power cord is loose.	Plug in to the power supply again.
Serious vibration of the unit	The fan blade is damaged.	Switch off the unit and repair by qualified service personnel only.
	The fan motor is not fixed tightly.	Switch off the unit and repair by qualified service personnel only.
	The unit is not hung properly on the bracket.	Remove the unit and check whether the bracket is in proper location.
Suction performance not good	Too much distance between the unit and the cooking plane.	Readjust the distance to 65-75cm.

ENVIRONMENTAL PROTECTION

Waste electrical products should not be disposed of with household waste. Please recycle where facilities exist. Check with your Local Authority or retailer for recycling advice.



This appliance is marked according to the European directive 2012/19/EU on Waste Electrical and Electronic Equipment (WEEE). By ensuring this product is disposed of correctly, you will help prevent potential negative consequences for the environment and human health, which could otherwise be caused by inappropriate waste handling of this product. The symbol on the product indicates that this product may not be treated as household waste. Instead it shall be handed over to the applicable collection point for the recycling of electrical and electronic equipment. Disposal must be carried out in accordance with local environmental regulations for waste disposal. For more detailed information about treatment, recovery and recycling of this product, please contact your local city office, your household waste disposal service or the shop where you purchased the product.

LEBENSSTIL

KOLLEKTION

Distributed by:

Kollektion Distribution Sdn. Bhd. (596854-A)

Lot 11B, Jalan 223, Section 51A,

46100 Petaling Jaya,

Selangor Darul Ehsan, Malaysia.

Tel: +603-7954 5200 Fax: +603-7954 5705

www.kollektion.com.my

Careline
1-800-881-770