

Customer Careline
1800-881-770

LEBENSSTIL
KOLLEKTION

Cooker Hood
Instruction Manual

LKCH-9121

Distributed by
Kollektion Distribution Sdn Bhd
11b, Jalan 223, Section 51A
46100 Petaling Jaya
Selangor, Malaysia

www.lebensstilkollektion.com

■ ENVIRONMENTALLY-FRIENDLY DISPOSAL

Dispose of packing in an environmentally-friendly manner.



This appliance is labelled in accordance with European Directive 2012/19/EU Concerning used electrical and electronic appliances (waste electrical and electronic equipment - WEEE). The guideline determines the framework for the return and recycling of used appliances as applicable throughout the EU.

■ PACKAGE INFORMATION

Packaging materials of the product are manufactured from recyclable materials in accordance with our National Environment Regulations. Do not dispose of the packaging materials together with the domestic or other wastes. Take them to the packaging material collection points designated by the local authorities.

■ Troubleshooting

Symptoms	Possible Cause	Action
Does not function	No electrical supply	Check that the plug is connected.
		Check that the main switch is turned on.
Poor airflow	Aluminum Filters clogged	Clean the filters and replace when dry
	Charcoal grease filters clogged	Replace charcoal filters with new sets
Motor running but no airflow	Butterfly valve jammed	Contact technician
Motor cuts after a few minutes	High temperature safety device activated	The kitchen is not sufficiently ventilated
	The hood is installed too near the cooking stove	The hood must be at least 65cm from stove
Strong cooking smell	Charcoal filters not installed/ are not operating optimally	In re-circulation mode, charcoal filters must be installed. Otherwise, if charcoal filter is clogged, replace the charcoal filter
Oil dripping onto stove	Aluminium filter saturated	Wash the aluminium filters
Whirring sound	Foreign object in contact with fan blade	Contact technician

Thank you for choosing Lebensstil Kollektion appliance. This instruction manual is designed to help you through each step of owning your new appliance, from installation to use and maintain it. Please read it carefully before you start using your product.

If, however, you should find something missing, or not covered, please contact the Customer Care Centre immediately. Their number is located on the back page of this book.

Alternatively, general information, is also available from our website. The address is located on the back page of this book.

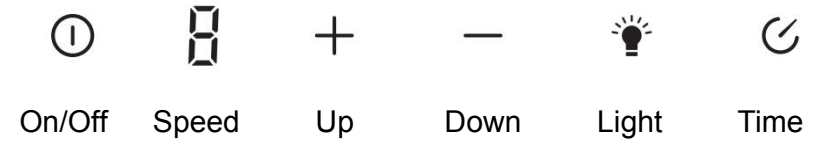
Notes:

- This instruction manual is prepared to use for multiple models.
- Your appliance may not feature some of the functions specified in this instruction manual.
- The product images are schematic, therefore, it may not represent the actual look of the appliance.
- This appliance has been produced in modern environment-friendly facilities without adversely affecting nature.
- Products, Parts and Accessories marked with * are optional.

■ Content

● Safety Warnings & Electrical Safety Warnings	1-2
● Introduction	3
● Technical Specification	4
● Installation	6
● Touch Control Panel	9
● Troubleshooting	10

■ Touch Control Panel



On/ Off : To switch on the appliance. Touch the circle with your finger tip for two seconds. Touch again to switch the appliance off. All lights will go off after that.

Up/ Down : To adjust the speed of the motor as according to your cooking need.

Speed 1 - light cooking, slow cooking

Speed 2 - medium cooking, light stir fry e.g vegetables, boiling, braised

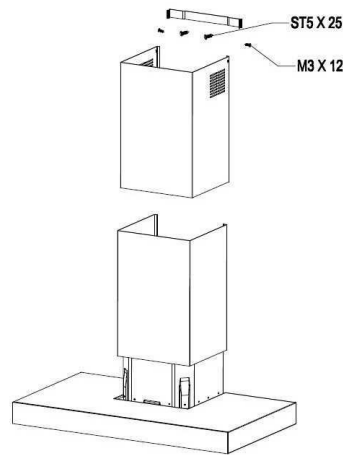
Speed 3 - heavy stir fry, deep fry, pan grill

PowerBoost - momentarily maximum extraction for heavy smoke and cooking fume

Light : Touch to switch on/ off the LED lighting

Timer: Once activated, the cooker hood will stay on for 7 minutes after the ON/OFF button been touched and will switched off automatically after that 7 minutes. This is to ensure the fume from the cooking are already being exhaust out from the kitchen or being absorb into the charcoal filter if fitted. The symbol of the Timer will be illuminated in RED if the function been activated.

■ Chimney assembly



Upper chimney

- Slightly widen the two sides of the upper chimney and hood them behind the mounting brackets, ensuring that they are well seated.
- Secure the sides of the brackets using 4 screws (M3 X 12).

Lower chimney

- Slightly widen the two sides of the chimney and hook them between the upper chimney and the wall, ensuring that they are well seated.
- Fix the lower parts laterally to the hood body using 2 screws (ST4 X 8).

■ Safety Warnings

1. Installation, servicing and repairs should always be performed by Authorised Service Personnel with professional knowledge. Manufacturer and brand principal shall not be held responsible for operations performed by unauthorized party.
2. Before using the product, make sure that you have removed all packaging and wrapping. Some of the items inside this appliance may have additional wrapping.
3. The appliance should be used as according the instructions inside this manual.
4. Children is not allowed to operate the appliance without any adult continuous supervision.
5. The accessible parts may be HOT during use. Full caution has to be paid at all time.
6. **WARNING** : Danger of Fire. Do not store items on the cooking surface.
7. **WARNING** : When the appliance is in used or after used, the heating element or heating zones will become extremely hot. Avoid physical contact at all time.
8. In the event of Fire Hazard, **DO NOT** try to put out the fire with water. Cut off the electricity or gas supply then put out the fire by using proper fire protection device, such as fire extinguisher.
9. This appliance has been designed for household usage only.
10. **DO NOT** insert any ignitable or flammable materials on or in the appliance.
11. Flammable items of material, such as curtains, papers, should be distance away from the appliance before starting to use.
12. **DO NOT** use steam cleaners to clean the appliance.

■ Electrical Safety Warnings

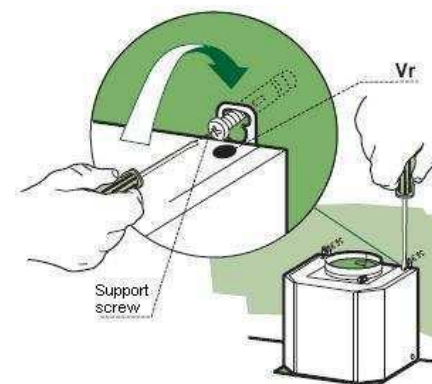
1. DO NOT handle the electricity connection points and plug with wet hands at all time.
2. The appliance must be earthed.
3. The power supply cord shall not be in contact with any parts of the appliance that produce heat.
4. If the power supply cord is damaged. Stop using the appliance and replace the cord by an authorized service agent to prevent a hazardous situation.
5. NEVER wash the appliance by spraying or pouring water on it. There is a risk of electrocution.
6. WARNING : Cut off all electrical supply connections before accessing the terminals or changing the light bulb.
7. Unplug the appliance during installation, maintenance, cleaning and repair.
8. Ensure the power plug is fully inserted into the wall socket or power point to avoid sparks.

■ Electrical Connection

This appliance must be installed and connected to its place correctly according to the manufacturer's instruction. The company will not be held of responsible for damages resulting from connection of non-earthed sockets to the appliance.

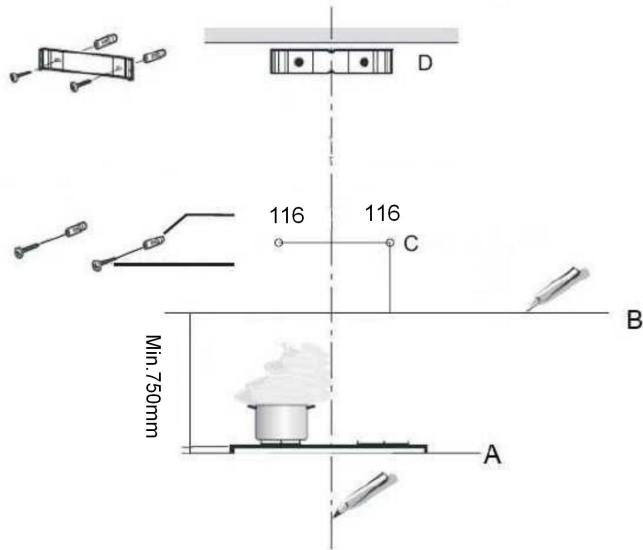
This cooker hood has been manufactured as 220~240V 50/60Hz. AC power supply compliant and requires a 13Amp fuse. If your power connection is different than the indicated values, please refer to the Customer Care Centre or the authorized service agent.

- Slide the lower chimney cover downwards and ensure that it is well seated on the hood body.
- Aligning the hood body
- Before attaching the hood body, adjust the two screws located on the hood body mounting points.
- Hook the hood body onto the support screws and tighten the support screws fully.
- Adjust screws to level the hood body.



■ Installation

Wall drilling and bracket fixing

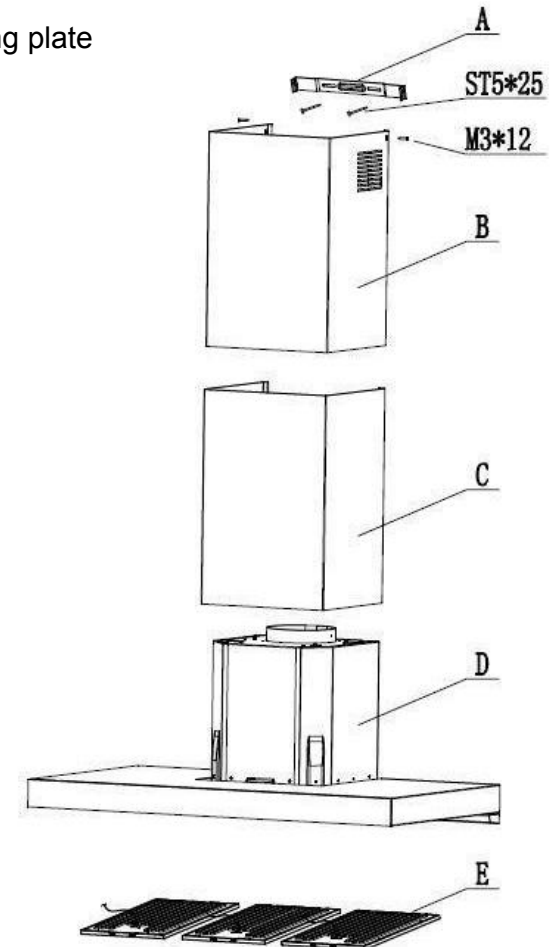


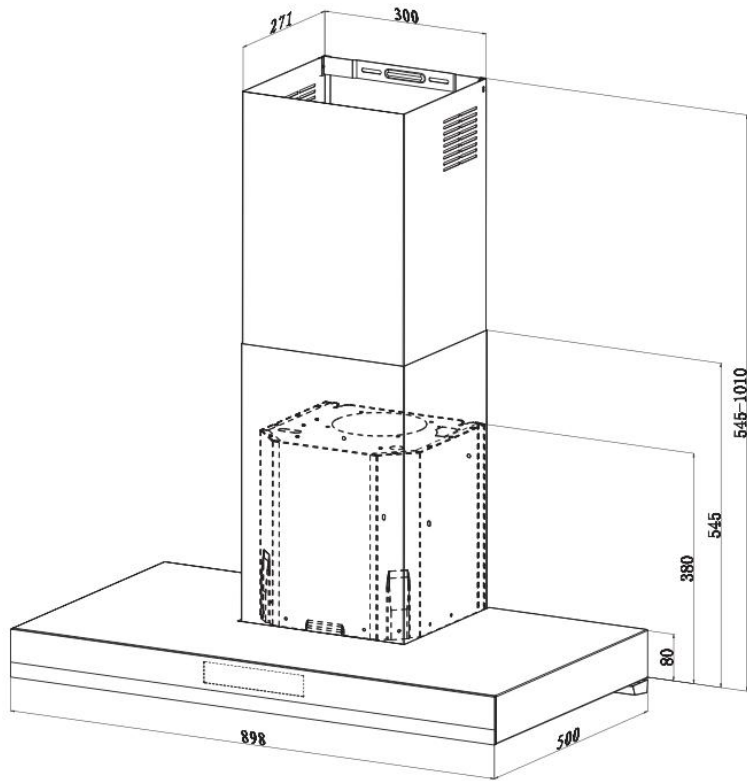
Wall mounting

- Draw a vertical line on the wall at the center of the wall.
- From bench top (see A), drawing a horizontal line (see B) above minimum installation height level.
- Mark a reference point at C, Repeat this step on the other side.
- Drill ϕ 8mm holes at center of marking points. Insert wall plug in the wall.
- Fix the hood body to wall using 2 (ST5 x 25) screw, tighten the screw firmly. Note: Adjust the hood body alignment if necessary.
- Place mounting bracket on the wall at desired height level, aligning bracket center at vertical line (see D).
- Mark the center of the bracket holes and drill 8mm holes. Insert wall plug in the wall. Secure mounting bracket firmly using 2 (ST5 x 25) screws.
- Fix the upper chimney cover to both mounting bracket using 2 (M3 x 12) screws.

■ Introduction

- A. Chimney Mounting Bracket
- B. Upper Chimney Cover
- C. Lower Chimney Cover
- D. Motor Housing
- E. Aluminum Filters
- F. Collecting plate





■ Technical Specification

Input Power	: 400 Watt
Supply Voltage	: 220~240v 50Hz
LED Lamp	: 7 Watt x 1
Fan Speed	: 3 speed + Power boost

■ Ventilation modes

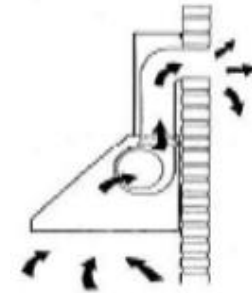
You can choose to install the hood as a ducted or recirculation mode.

● Ducted mode (Vented mode)

In the ducted mode, air is drawn into the hood, fat are trapped by aluminum filters. Odors, fumes and condensation are then expelled to the outside. In this mode, only the aluminum filters are installed.

When installing the ducted mode, connect the hood to the chimney using either a flexible or rigid pipe with \varnothing 150mm.

Fix the pipe in position using sufficient pipe clamps (not supplied).



● Recirculated

Optionally, you can use an optional charcoal filter to fit into the cooker hood and recirculate the filtered air back into the cooking area.

Kindly make sure the exhaust holes of the upper chimney are not block.

The charcoal filter has to be replaced every 6 months or more frequent if heavy cooking activities are being performed regularly.

Otherwise, it may reduce the extraction performance of the cooker hood while possibly increase the noise and vibration of the appliance.