

LEBENSSTIL
KOLLEKTION

**PORTABLE
VITRO-CERAMIC HOB
LKRH-3102P**

INSTRUCTION
MANUAL



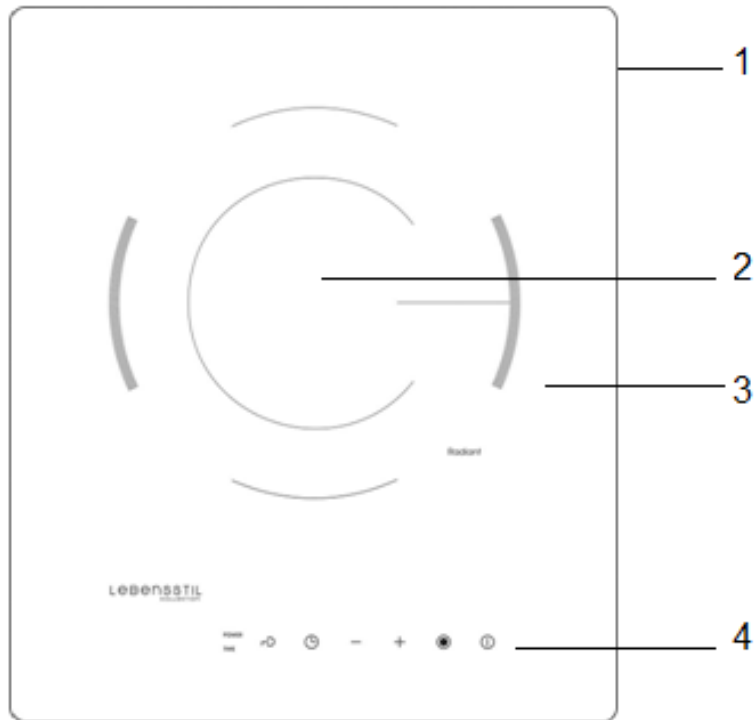
Before operating this appliance, please read these instructions completely.

CONTENTS

Title	Page No.
Parts Introduction	1
Technical Specifications	1
Before Using	1
How to Install Vitro-Ceramic Hob	2
How to Use Vitro-Ceramic Hob	3
Cleaning and Maintenance	4
Important Guidelines	5

Thank you for choosing LEBENSSTIL KOLLEKTION Portable Vitro-Ceramic Hob.

Part Identification



1. Vent
2. Heating Area
3. Ceramic Glass
4. Control Panel

Technical Specifications

Voltage	220 - 240V~
Wattage	2200W
Frequency	50Hz

Before Using

- Please read these instructions carefully before using and keep them for future reference.
- Check your local main voltage whether it is the same as stated on the rating label.
- Before using for the first time, remove any protective films or stickers from the ceramic hob.
- Ensure the power switch is always OFF.
- Always attach plug to appliance first, then plug cord into the wall outlet. To disconnect, turn OFF any control, then remove plug from wall outlet.

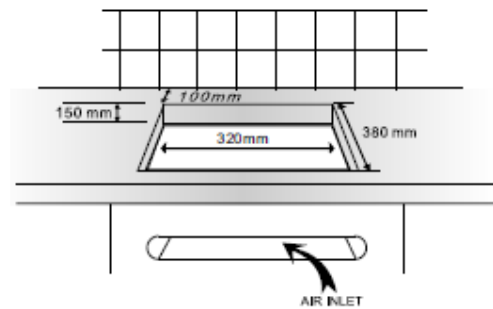
How to Install **Vitro-Ceramic Hob**

Table-top Installation

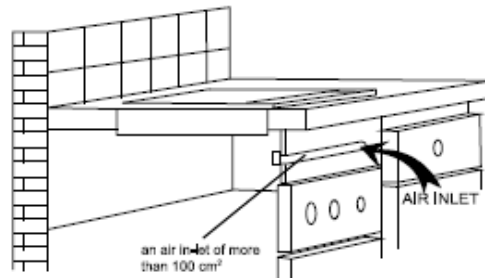
- When this product is used on a table, please note that ventilation hole shall be at least 50mm from wall surface.

Push-in Installation (Install on an empty cabinet)

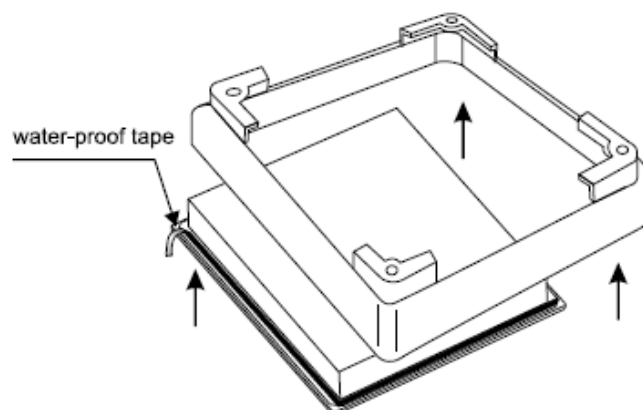
- Open an installation hole (hole size as shown) on cabinet. (Note: The depth shall be more than 150mm)



- In the front of cabinet, under the location of the ceramic hob, open an air inlet of more than 100cm² as shown below. If the cabinet is not sealed, then an air inlet is not necessary as it is just for heat elimination purpose.

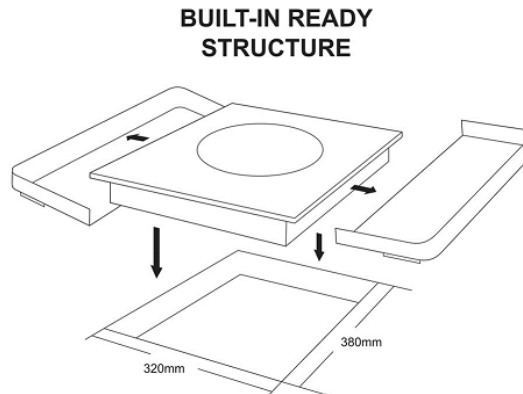


- Loosen the screw on the bottom, remove the frame, properly apply water-proof tape on the bottom of front panel of the **vitro-ceramic hob**.



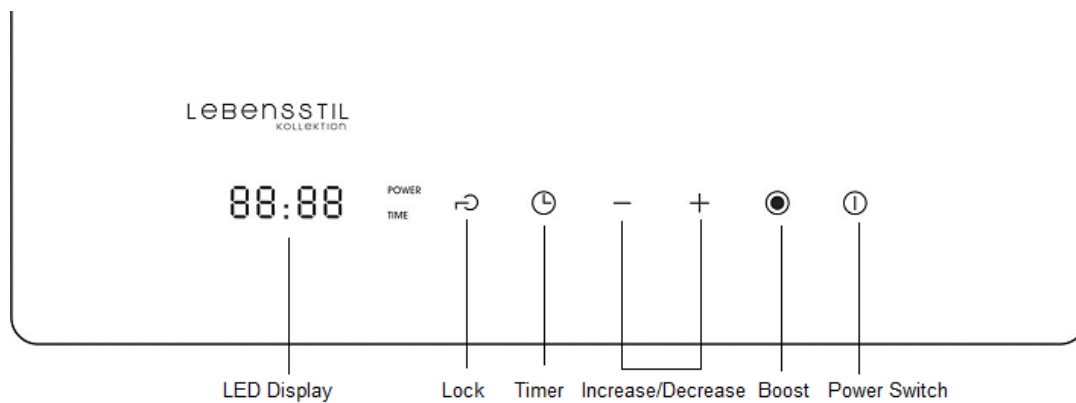
- Place the **vitro-ceramic** hob into the installation hole. Insert plug into main power supply. Turn on the power and the **vitro-ceramic** hob is ready to be used.

2





How to Use Vitro-Ceramic Hob


Control Panel



Power switch

- Place the cookware on the cooking zone, connect the plug and press the  button for 3 seconds to turn ON the **vitro-ceramic** hob.
- Press the + button once to start cooking.
- Press + button once to choose “Power” cooking function. The relevant indicator lights will turn on and the LED display panel will indicates power. The power level can be adjust by pressing “+” or “-”.
- Press the  button again to turn OFF the **vitro-ceramic** hob.

Timer

- Press this  button to choose “TIMER” function in the cooking mode. The relevant indicator will turn on and the LED display panel will indicates timer.
- Keep pressing the “+” or “-” button to set the cooking time. The timer can be set between 0 – **9.59 minutes**.

- Press  button again to exit timer setting.

Boost

3

- Press this button to select the “BOOST” function, the maximum heating level will reach 8.

Increase/decrease “+” or “-“



For heating function

- Press once to increase/decrease one heating level.

For timer function

- Press once to increase/decrease one minute; press and hold this button to increase/decrease ten minutes.

Lock

- Press  button for 2 seconds, the buzzer will beep and lock indicator light will turn on. At this time, all buttons will be locked except for power switch button and the lock button in order to avoid any miss-operation. Press this  button for 2 seconds again to cancel the lock mode.
- At switch-off status, the lock operation can also be conducted. Once it is locked, all buttons except the power switch can be operated and the ceramic hob will not be heated up. This is to prevent children from accidentally switch on the **vitro**-ceramic hob and cause any accident.

NOTE:

Cookware Selection

- Cookware must be placed in the middle of the cooking zone.
- This **vitro**-ceramic hob allows to uses all kind of cookware. Each cookware must be placed onto the circle in the middle of the heating area.

Safety Protection

- Electronic Safety Device: Self detect the temperature and make auto temperature adjustment when overheat.
- Automatic Shutdown Protection: The **vitro-ceramic** hob will automatically shut off after 2 hours if there is no operation detected.

Cleaning and Maintenance

- Always unplug the product from the wall socket and shut down completely prior to cleaning.
- Do not use abrasive sponge, scouring pads or stiff brush to clean the appliance.
- Please be cautious when cleaning the product near to the heater housing area.
- Use only damp cloth to wipe the exterior surfaces of the unit. Do not immerse the main body in water.
- Do not allow the electrical components to be exposed to water.
- For proper storage, always place the unit in a low humidity environment.

Important Guidelines

4

- Use only original accessories supplied.
- The current voltage which indicates on the plate must correspond to your local voltage.
- The appliance should be used only on condition that the type of power supply corresponds to the marking label. Otherwise, it will not work or even be damaged.
- Never use the appliance inside the bath, under a shower or over a wash basin full of water.
- If the appliance falls into water, pull the power plug out from the power socket immediately.
- Never use the appliance unless it is fully assembled.
- Do not overload outlets or extension cords. It can result in fire or electric shock.
- Do not use the appliance if the power supply cord or plug has been damaged.
- Unplug from outlet when not in use, before putting on or taking off parts, and before cleaning.
- The use of accessory attachments not recommended by the appliance manufacturer may cause injuries.
- Do not immerse the cord, plug or appliance in water or other types of liquid and do not pour water onto it to avoid from fire, electrical shock or personal injury.
- To protect against risk of electrical shock, do not force any foreign objects such as pins and wires into any openings.
- Do not pull the cord to remove the plug from wall socket, pull on the plug instead.
- Do not attempt to insert or remove the plug with wet hands.
- Do not place the appliance on or near hot gas/electric burner, or a heated oven.
- Do not let cord hang over the edge of table or counter or touch any hot surfaces.
- In the event not using the appliance for a long period of time, please remove the plug from the power outlet.
- Never let children use electrical equipment without adult supervision.
- Educate children about the danger and safety rules associated with operating electrical equipment.
- This appliance should not be used by the physically challenged, slow response or mentally disabled people (including children) unless guidance is provided during operation.
- This appliance is intended for indoor and household use only; not for outdoor, commercial and industrial use.
- The appliances are not intended to be operated by means of an external timer or separate remote-control system.
- This appliance is intended to be used in household.
- Do not operate any appliance with a damaged cord or plug, or after the appliance malfunctions or has been damaged in any manner. Repairs and services should always be carried out by authorized Customer Care/Service Centre.



- This marking indicates that this product should not be disposed with other household wastes throughout the nation. To prevent possible harm to the environment or human health from uncontrolled waste disposal, recycle it responsibly to promote the sustainable reuse of

5

LEBENSSTIL

KOLLEKTION

Distributed by:

Kollektion Distribution Sdn. Bhd. (596854-A)

Lot 11B, Jalan 223, Section 51A,

46100 Petaling Jaya,

Selangor Darul Ehsan, Malaysia.

Tel: +603-7954 5200 Fax: +603-7954 5705

www.kollektion.com.my